

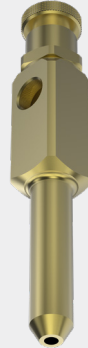
# ➤ Pneumatic atomizing nozzles, full cone, siphon principle, internal mixing Series 140

### Features:

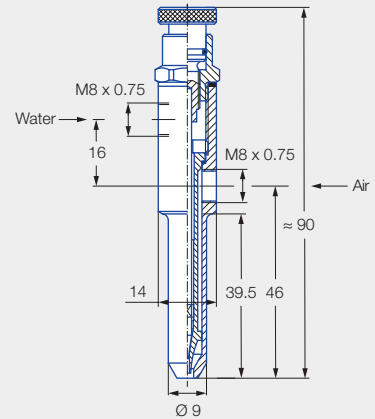
- Particularly fine full cone atomization
- Siphon principle
- Internal mixing
- Integrated regulating device
- Material: Brass

### Applications:

- Lubrication
- Cooling
- Humidification of air



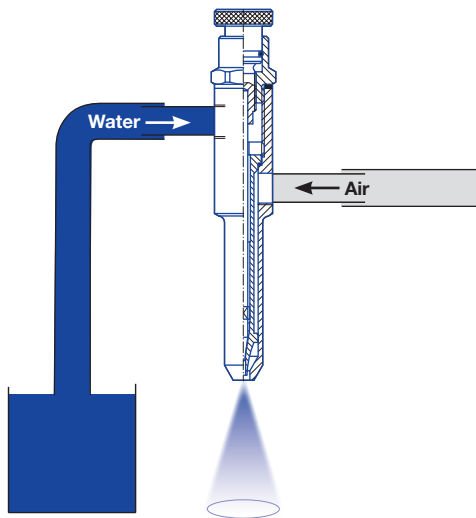
Series 140



Mat. no.	Weight [g]
30	70

Spray angle	Ordering no.	Narrowest free cross section Ø [mm]		Hs Aspiration height [mm WS]	Flow rate							
		Water	Air		0.5		1.0		2.0		3.0	
					$\dot{V}_W$ [l/h]	$\dot{V}_n L$ [m³/h]	$\dot{V}_W$ [l/h]	$\dot{V}_n L$ [m³/h]	$\dot{V}_W$ [l/h]	$\dot{V}_n L$ [m³/h]	$\dot{V}_W$ [l/h]	$\dot{V}_n L$ [m³/h]
20°-30°	140.252.30.01	0.50	0.75	500	-	-	4.50	4.00	8.00	6.00	10.50	8.00
		0.50	0.75	200	4.50	2.50	7.00	4.00	10.00	6.00	12.00	8.00

### Assembly scheme/Accessories



### Accessories:

- Gasket  
**014.040.72**  
7.8 x 12 x 1 (EWP 210)
- Nipple  
**014.010.30.04**  
(Material: Brass)  
Weight: 17 g

